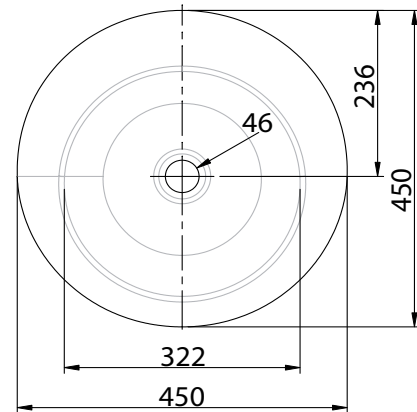
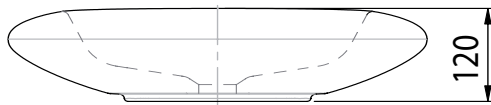


IDEAL STANDARD - NATURAL VESSEL BASIN

450 x 120mm

SPECIFICATIONS

Recommended use	Domestic, hotel, and commercial
Material	Fine fire clay
Fixing	Sealed to countertop with waterproof sealant
Warranty	12 months warranty (see reverse)
Integral overflow	No
Tap hole	0 tap holes
Plug and waste	Suits 32 x 40mm waste
Colour availability	White
Template	Supplied with product



WARRANTY & CARE DETAILS

Dear Customer,

This is the warranty by Reece Pty. Ltd. relating to this product. Please keep it together with your purchase receipt. In the unlikely event of a query please contact your nearest Reece Plumbing Centre.

Warranty

You have purchased a quality product from Reece Australia. This product is covered by a twelve month warranty. This warranty covers faults in the product construction, material and assembly. Faulty products will be repaired or exchanged free of charge. Faulty items become our property.

This warranty does not include faults caused by:

- Unsuitable or improper use
- Incorrect installation
- Normal wear and tear
- Inadequate or complete lack of maintenance
- Chemical, electrochemical or electrical influences

Cleaning Recommendations

Any sanitaryware should not be cleaned with abrasive materials eg. steel wool/scourers. Do not use any corrosive or abrasive cleaning agents containing acids or scouring agents.

In the event of a warranty claim, we will replace or repair defective products, or pay for the cost of having defective products repaired or replaced, but will not be liable for any injury to any person, damage to any property, any indirect or consequential loss, or in any other respect.

Disclaimer:

Products in this specification manual must by regulation be installed by licensed and registered trade people. The manufacturer/distributor reserves the right to vary specifications or delete models from their range without prior notification. Dimensions and set-outs listed are correct at time of publication however the manufacturer/distributor takes no responsibility for printing errors.

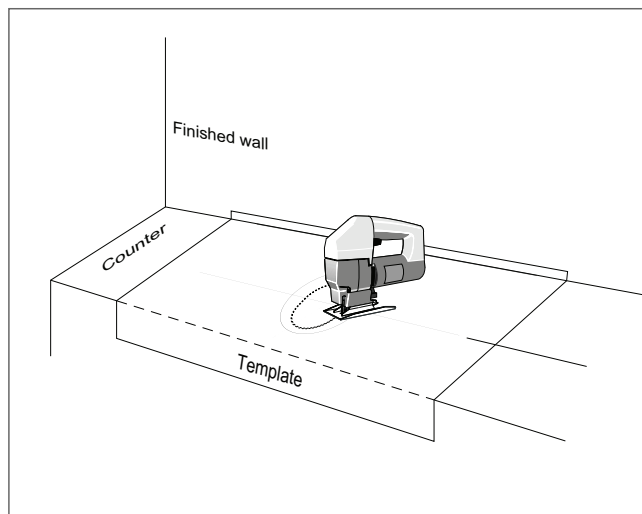
IDEAL STANDARD - NATURAL VESSEL BASIN

INSTALLATION INSTRUCTIONS

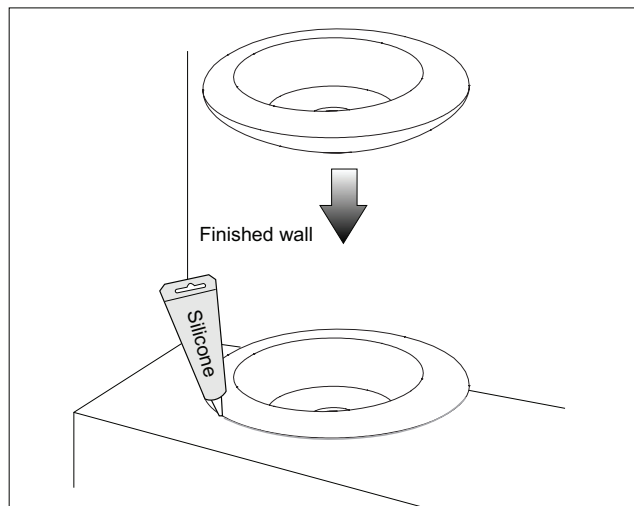
Note: If wall mounted tapware is to be used, consideration should be made to length of outlet and positioning of basin on bench top.

If tapware is to be bench mounted allow suitable bench top width for fitting tapware.

1. Prepare the area where the basin is to be positioned for installation.
2. Cutout the required position of the basin by using the template provided.



3. Make all connections to basin and test thoroughly for water drainage and leakage. If no leakages are present, seal basin to countertop.



Dear Plumber

Could you please ensure a copy of the installation instructions is left with the end user for future reference.